

## SMD MAGNETIC BUZZER

**MODEL :** DRL-9045A

### FEATURES

- externally drive
- SMD type
- household appliances



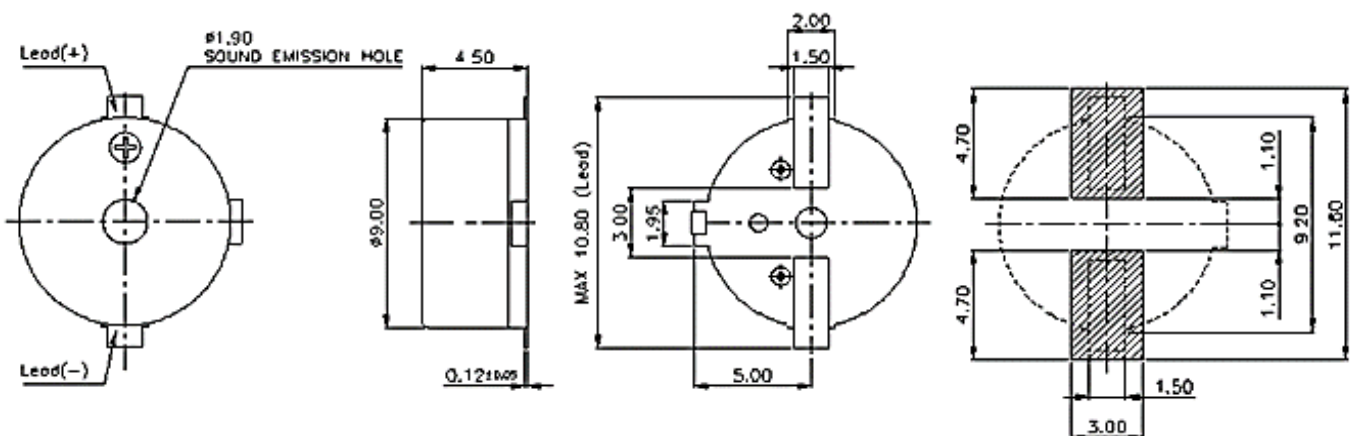
### SPECIFICATIONS

PARAMETER	UNITS	VALUE
Rated Voltage	Vp-p	1.5
Operating Voltage	Vp-p	1~2
Resonance Frequency	Hz	2,650
Coil Resistance	$\Omega$	6 $\pm$ 1
Sound pressure level at 10cm	dB	$\geq$ 90
Current Consumption	mA	$\leq$ 80
Operating Temperature	$^{\circ}$ C	-30~+70
Storage Temperature	$^{\circ}$ C	-40~+85
Housing Material		LCP
RoHS		Yes

Applying rated voltage (Resonance frequency, 1/2 duty, Square wave)  
Tset Basic State : Temp(20 $\pm$ 2 $^{\circ}$ C), Humidity(40~70%RH), Air pressure(860~1060hPa)

### DIMENSIONS

Tolerance:  $\pm$ 0.5mm Except Specified



Recommend Pattern Land