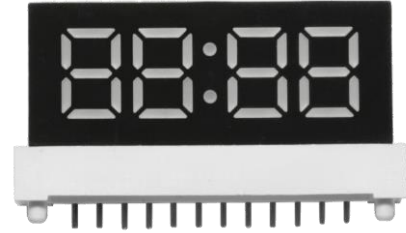


WAVELESS LED DISPLAY

MODEL : HL-LED901SY-C1

FEATURES

- customer design, mix function display
- high intensity and reliability
- high quality, Low power requirement
- waveless, IC compatible , Easy assembly



SPECIFICATIONS

ABSOLUTE MAXIMUM RATINGS (Ta=25°C)

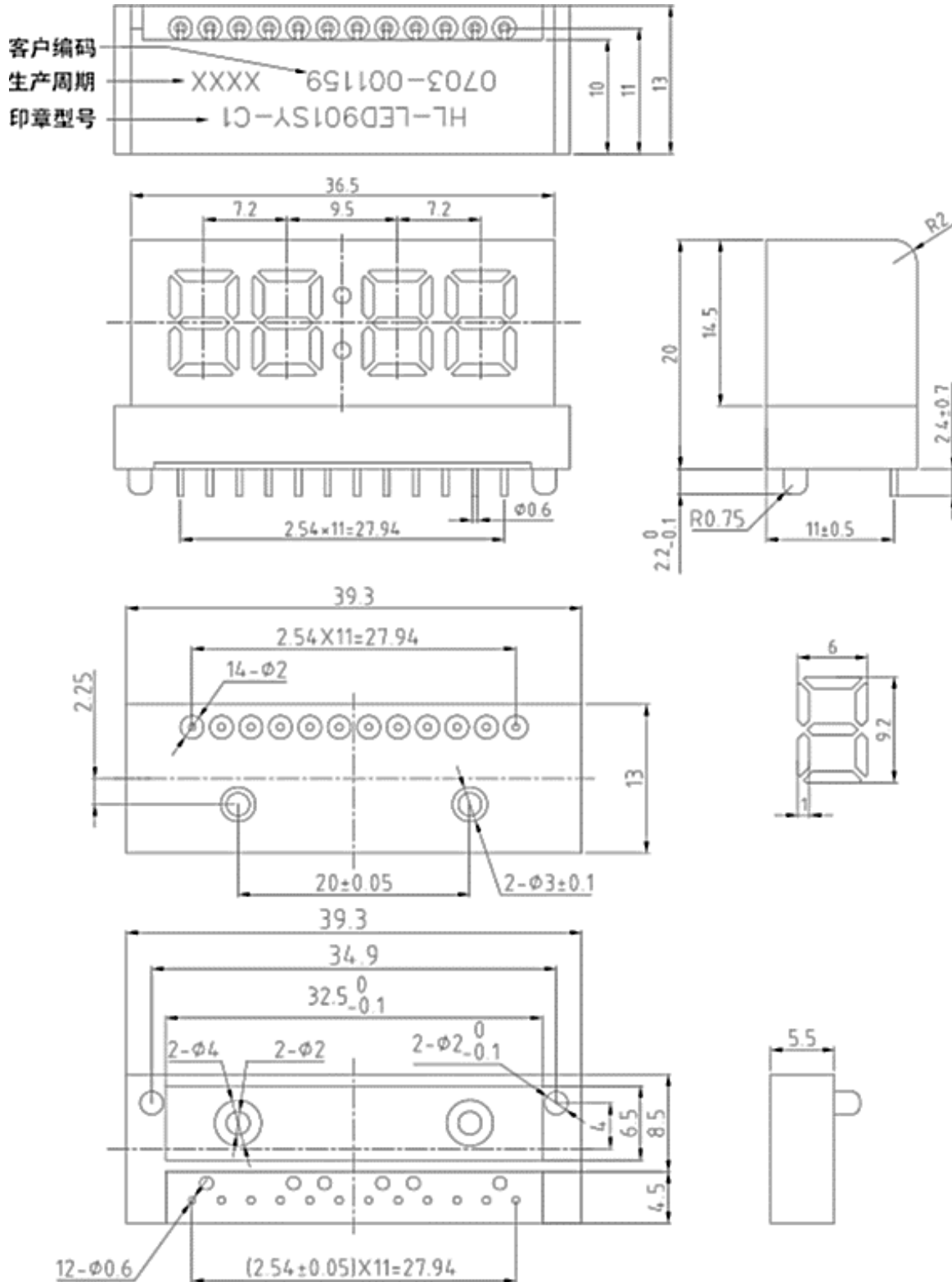
PARAMETER	COLOR	Max	UNIT
Power Dissipation Per Segment	yellow	55	mW
Peak Forward Current Per Segment (1/10duty cycle ,1KHz)	yellow	100	mA
Average Forward Current Per Segment	yellow	20	mA
Derating Linear From 25°C Per Segment	yellow	0.33	mA/°C
Reverse Voltage Per Segment	yellow	5	V
Operating Temperature Range	-35°C to + 85°C		
Storage Temperature Range	-35°C to + 85°C		
Lead Soldering Temperature 260°C at 1.6mm From Body for 3 second			

ELECTRICAL/OPTICAL CHARACTERISTICS (Ta=25°C)

PARAMETER	SYMBOL	COLOR	MIN.	TYP.	MAX.	UNIT	Test condition
Luminous Intensity Per Segment	I_v	yellow	—	8	—	mcd	$I_F=10mA$
Dominant Wavelength	λ_D	yellow	—	587	—	nm	$I_F=20mA$
Spectral Line Half-Width	$\Delta\lambda$	yellow	—	20	—	nm	$I_F=20mA$
Forward Voltage Per Segment	V_F	yellow	1.8	2	2.8	V	$I_F=20mA$
Reverse Current Per Segment	I_R	—	—	—	0.5	μA	$V_R =5V$
Luminous Intensity Matching Ratio (Segment To Segment)	I_{v-m}	—	—	—	2 : 1	—	$I_F =10mA$

LED DISPLAY

DIMENSIONS



NOTES : All dimensions are in millimeters (inches) tolerance are ± 0.25mm(0.010) unless otherwise noted