

WAVELESS LED DISPLAY

MODEL : HL-LED163SB-A934-1



FEATURES

- customer design, mix function display
- high intensity and reliability
- high quality, Low power requirement
- IC compatible , Easy assembly

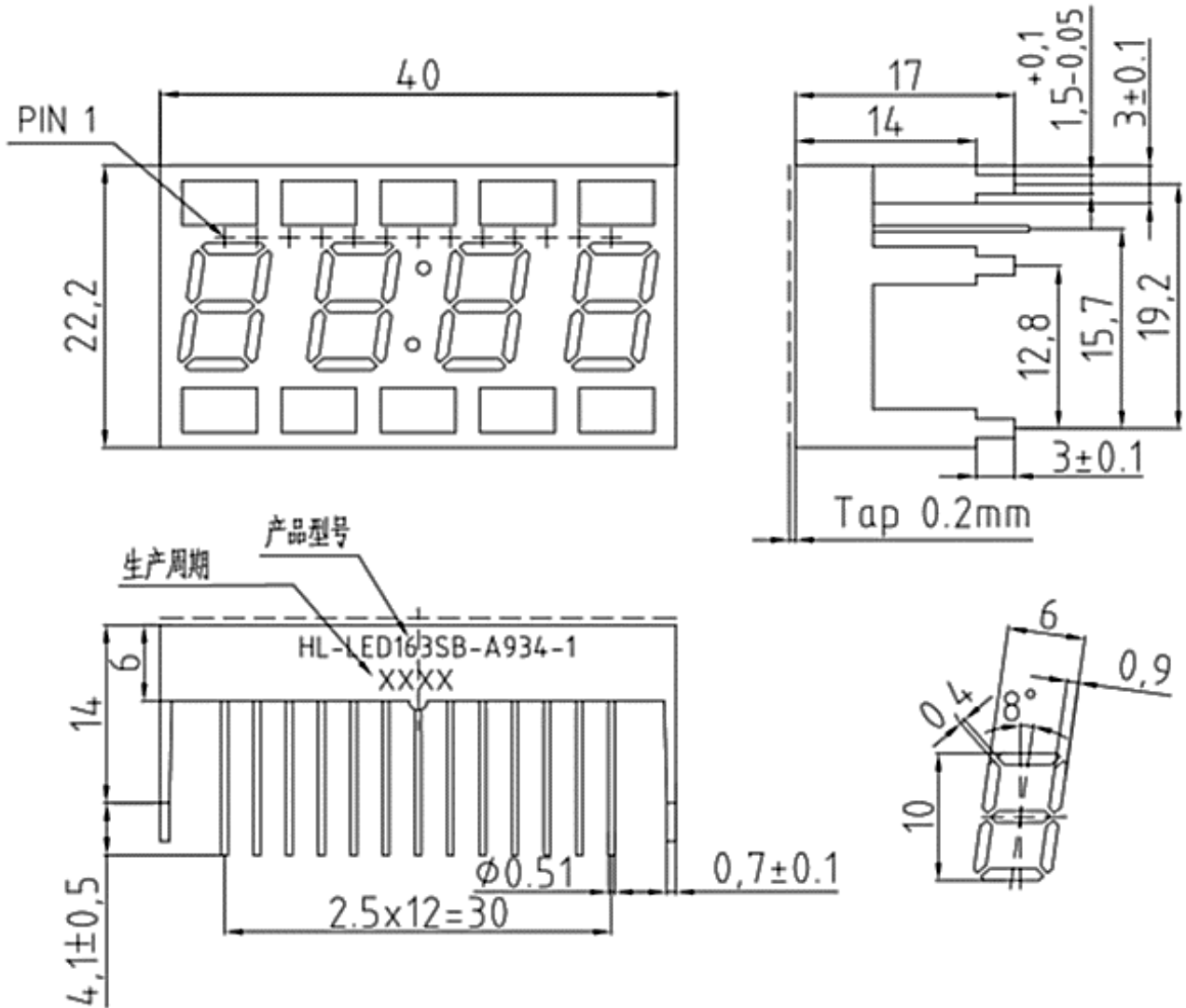
SPECIFICATIONS

ABSOLUTE MAXIMUM RATINGS (Ta=25°C)

PARAMETER	COLOR	Max	UNIT
Power Dissipation Per Segment	ice blue	72	mW
Peak Forward Current Per Segment (1/10duty cycle ,1KHz)	ice blue	100	mA
Average Forward Current Per Segment	ice blue	20	mA
Derating Linear From 25°C Per Segment	ice blue	0.33	mA/°C
Reverse Voltage Per Segment	ice blue	5	V
Operating Temperature Range	-35°C to + 85°C		
Storage Temperature Range	-35°C to + 85°C		
Lead Soldering Temperature 260°C at 1.6mm From Body for 3 second			

ELECTRICAL/OPTICAL CHARACTERISTICS (Ta=25°C)

PARAMETER	SYMBOL	COLOR	MIN.	TYP.	MAX.	UNIT	Test condition
Luminous Intensity Per Segment	I _v	ice blue	—	30	—	mcd	I _F =20mA
Dominant Wavelength	X	ice blue	—	0.21	—	nm	I _F =20mA
	Y		—	0.20	—		
Spectral Line Half-Width	Δλ	ice blue	—	20	—	nm	I _F =20mA
Forward Voltage Per Segment	V _F	ice blue	2.8	3.2	3.8	V	I _F =20mA
Reverse Current Per Segment	I _R	—	—	—	0.5	μA	V _R =5V
Luminous Intensity Matching Ratio (Segment To Segment)	I _{v-m}	—	—	—	2 : 1	—	I _F =10mA

LED DISPLAY
DIMENSIONS


NOTES : All dimensions are in millimeters (inches) tolerance are $\pm 0.25\text{mm}(0.010)$ unless otherwise noted