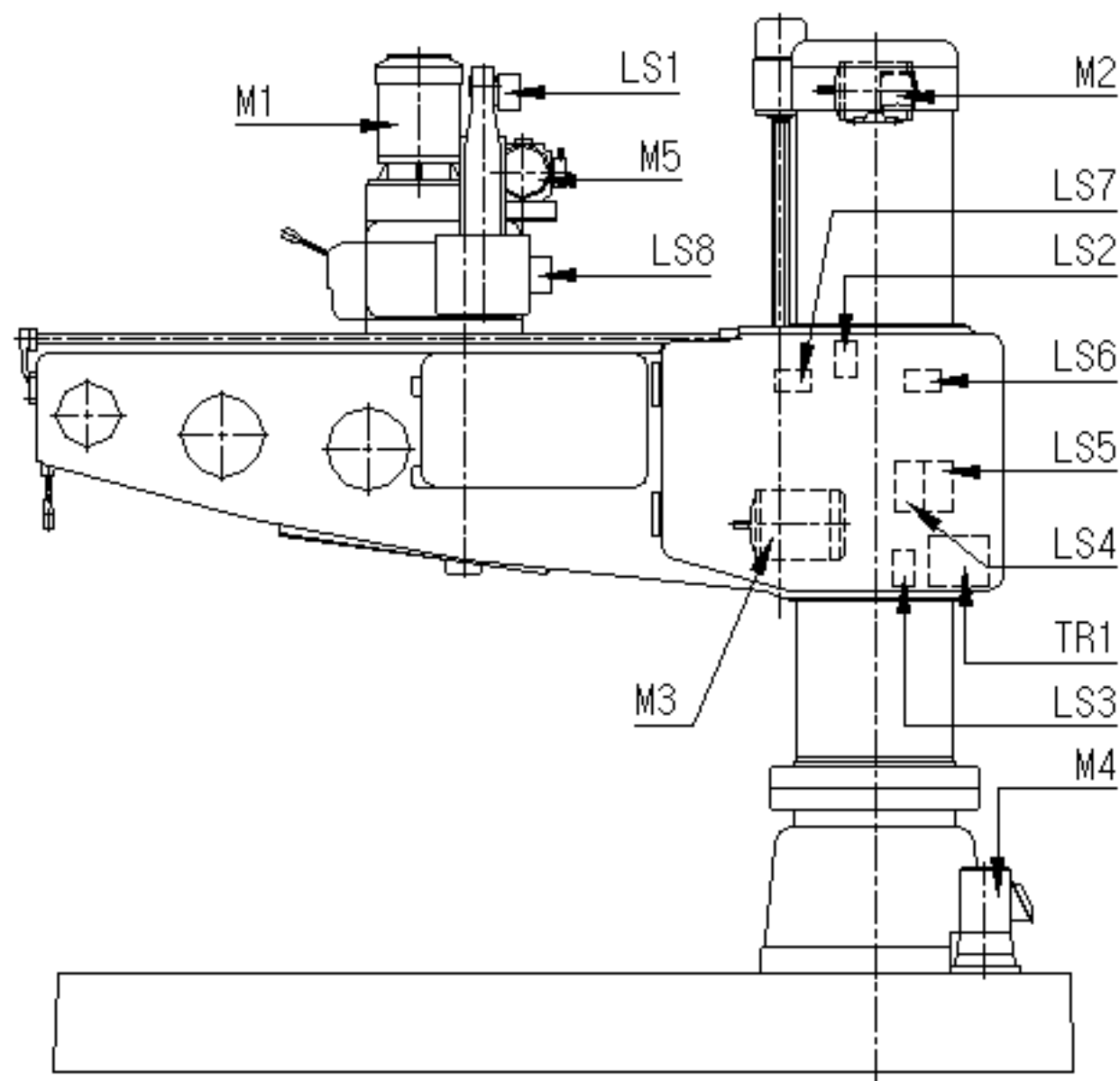


## ELECTRICAL PART LAYOUT



M1	SPINDLE MOTOR
M2	ARM MOTOR
M3	CLAMP MOTOR
M4	COOLANT MOTOR
M5	TOOL EJECTOR MOTOR
LS1	SPINDLE DOWN STOP
LS2	ARM UP STOP
LS3	ARM DOWN STOP
LS4	ARM AUTO CLAMP
LS5	
LS6	CLAMP STOP
LS7	UNCLAMP STOP
LS8	SPINDLE UP STOP
TR1	TRANS FORMER