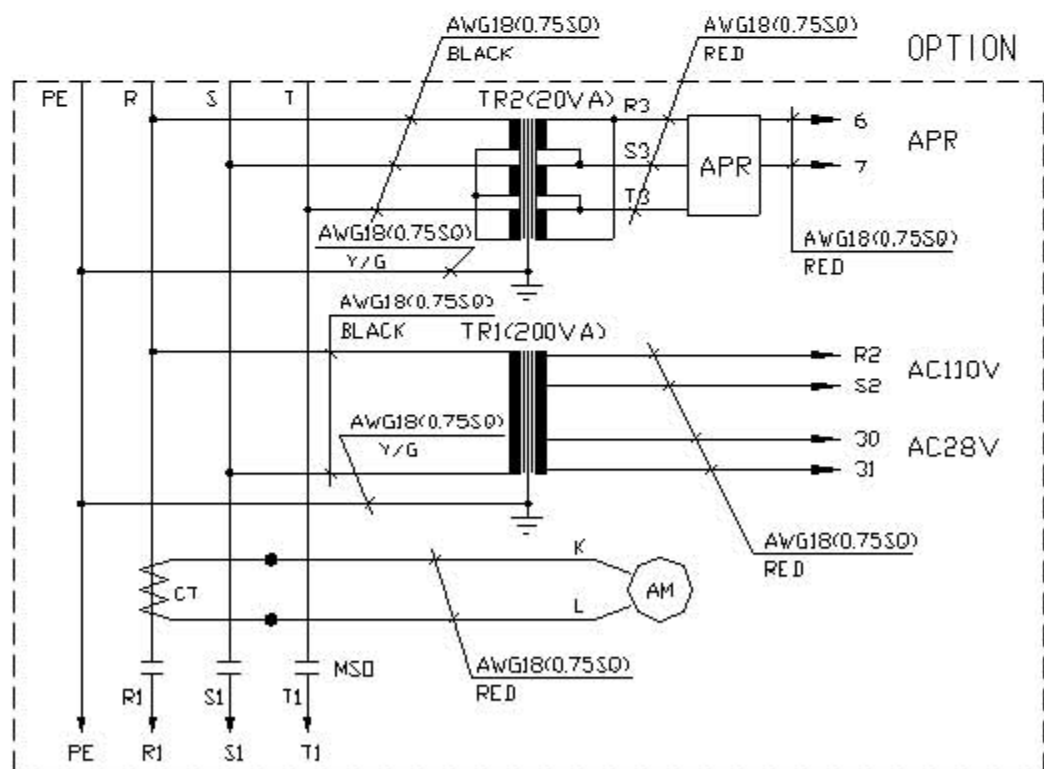
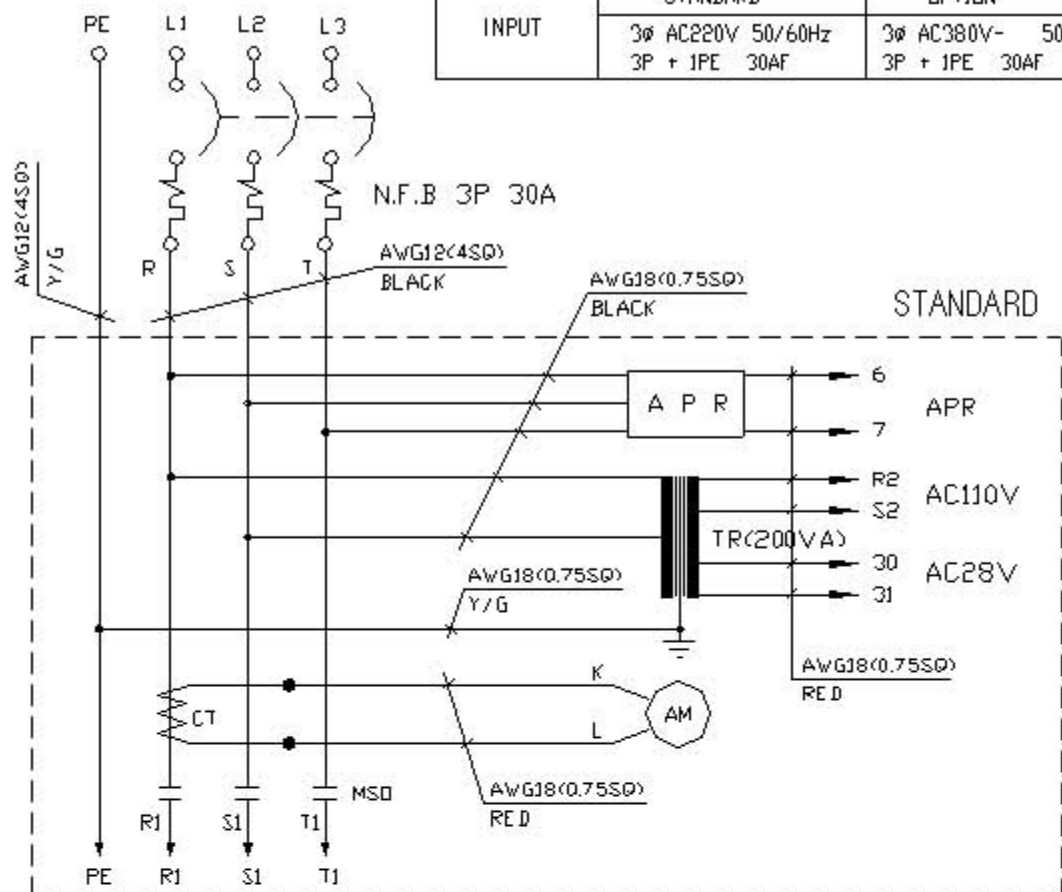
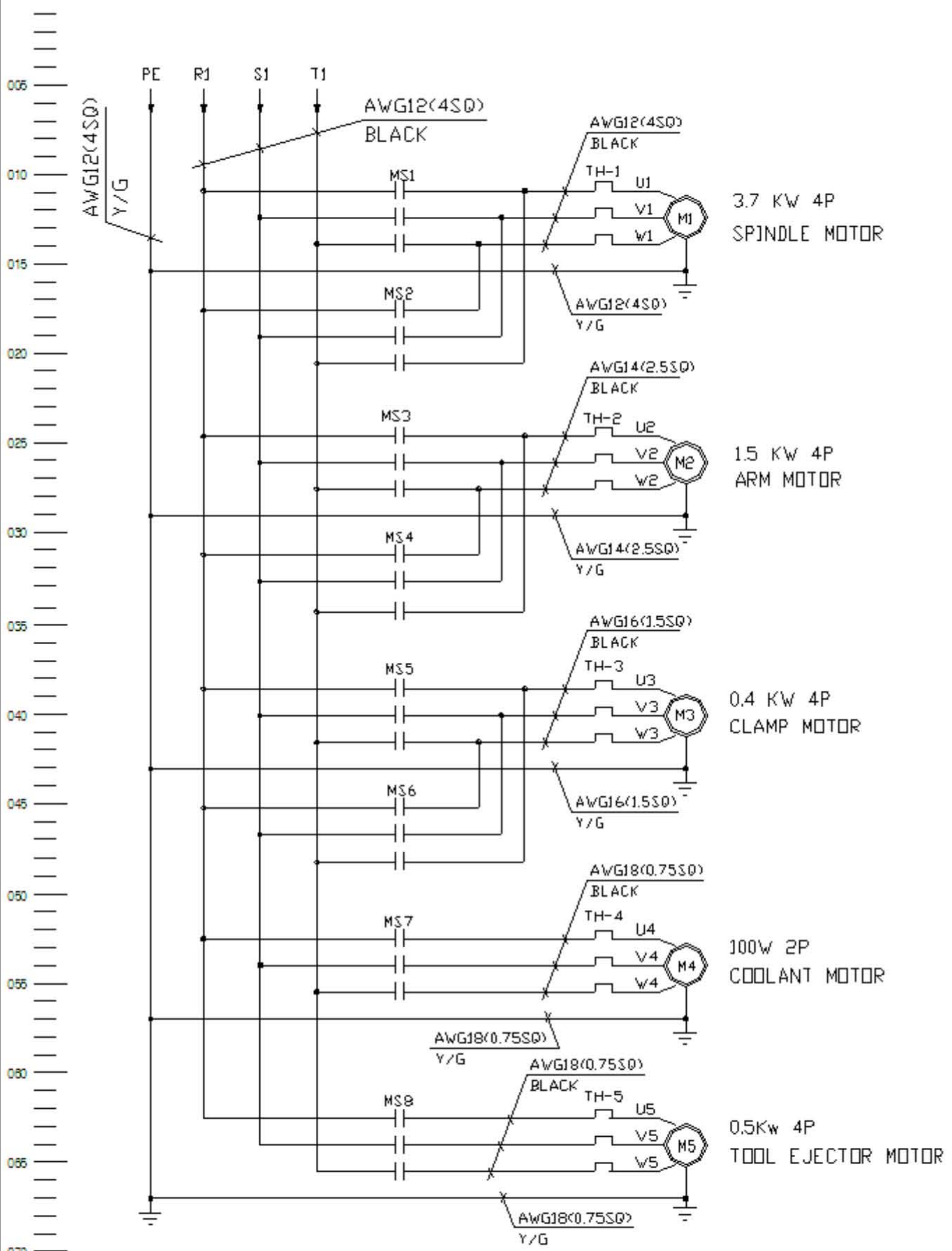


INPUT	STANDARD	OPTION
	3 ϕ AC220V 50/60Hz 3P + 1PE 30AF	3 ϕ AC380V- 50/60Hz 3P + 1PE 30AF



MODEL	NRD-1300, 1600	TITLE	MAIN CIRCUIT	
NAME	ELECTRIC DIAGRAM	DRAWING No.	1316-E001	1/5
DATE	2014. 10. 02	주식회사 남부 Nambu Co., Ltd		



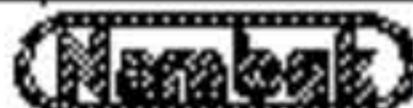
3.7 KW 4P
SPINDLE MOTOR

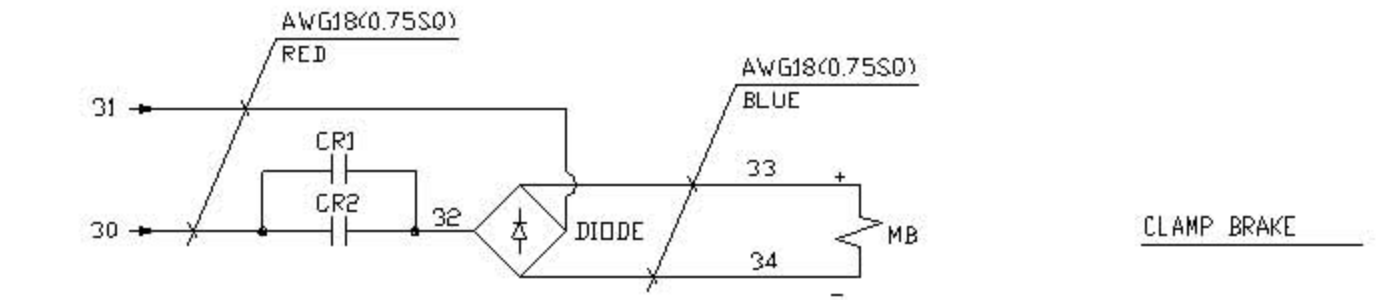
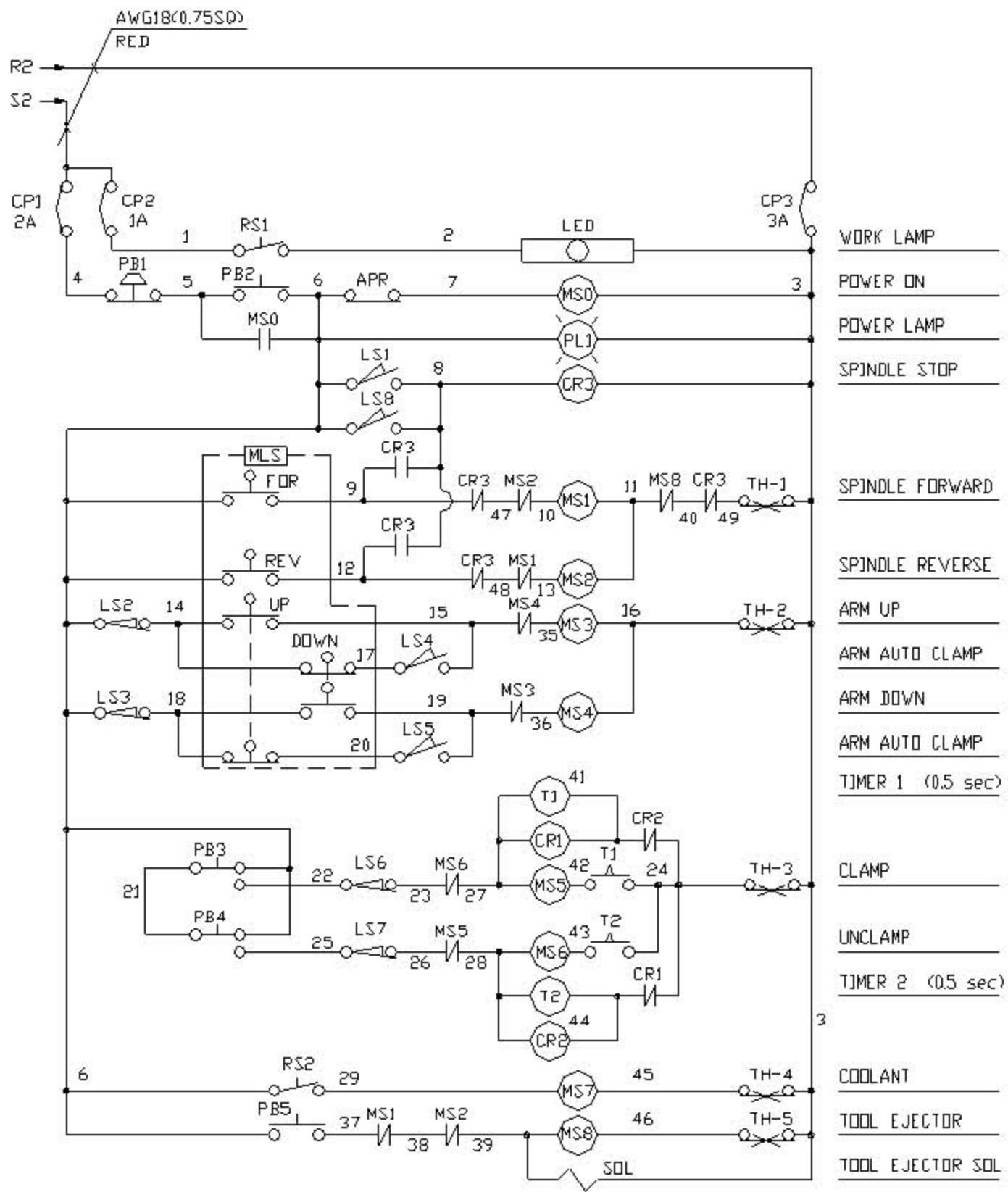
1.5 KW 4P
ARM MOTOR

0.4 KW 4P
CLAMP MOTOR

100W 2P
COOLANT MOTOR

0.5KW 4P
TOOL EJECTOR MOTOR

				MODE	NRD-1300, 1600	TITLE	MAIN CIRCUIT	
				NAME	ELECTRIC DIAGRAM	DRAWING No.	1316-E001	2/5
				DATE	2015. 02. 23	 주식회사 남북 Nanbuk Co., Ltd		
				기호	변경일자			

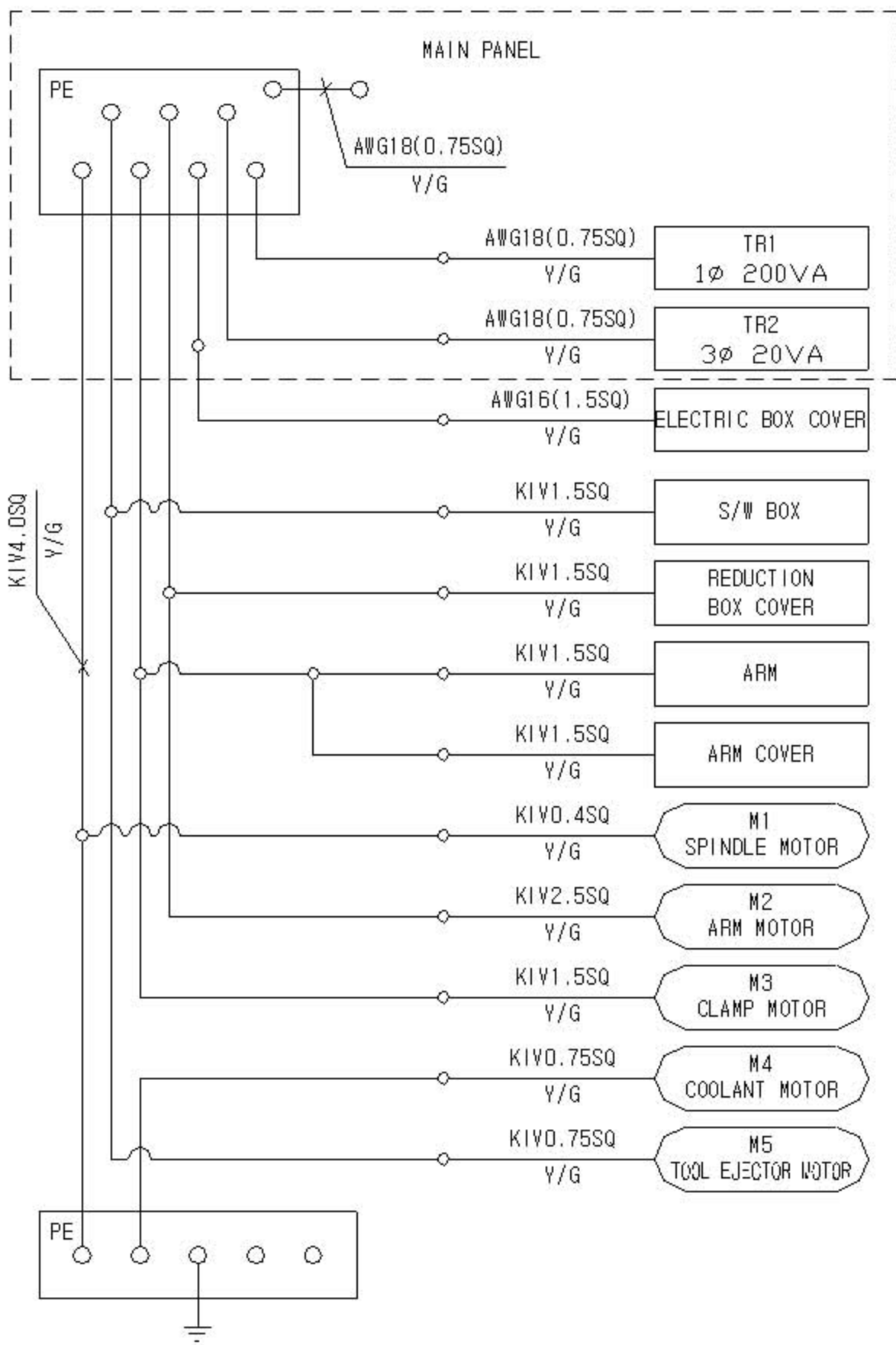



075
080
085
090
095
100
105
110
115
120
125
130
135
140

- WORK LAMP
- POWER ON
- POWER LAMP
- SPINDLE STOP
- SPINDLE FORWARD
- SPINDLE REVERSE
- ARM UP
- ARM AUTO CLAMP
- ARM DOWN
- ARM AUTO CLAMP
- TIMER 1 (0.5 sec)
- CLAMP
- UNCLAMP
- TIMER 2 (0.5 sec)
- COOLANT
- TOOL EJECTOR
- TOOL EJECTOR SOL

					MODEL	NRD-1300,1600	TITLE	CONTROL SOURCE	
					NAME	ELECTRIC DIAGRAM	DRAWING No.	1316-E001	3/5
					DATE	2017. 10. 13	주식회사 남부 Nambu Co., Ltd		
	기호	변경일자	변경사유	담당					

075
080
085
090
095
100
105
110
115
120
125
130
135
140



					MODEL	NRD-1300,1600	TITLE	GROUND	
					NAME	ELECTRIC DIAGRAM	DRAWING No.	1316-E001	4/5
	⚠				DATE	2013. 04. 04	 주식회사 남북 Nambuk Co.,Ltd		
	No	DATE	REVISIONS	CHARGE					